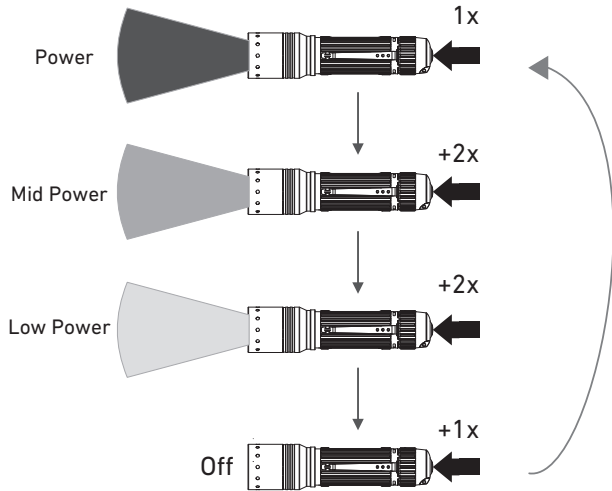
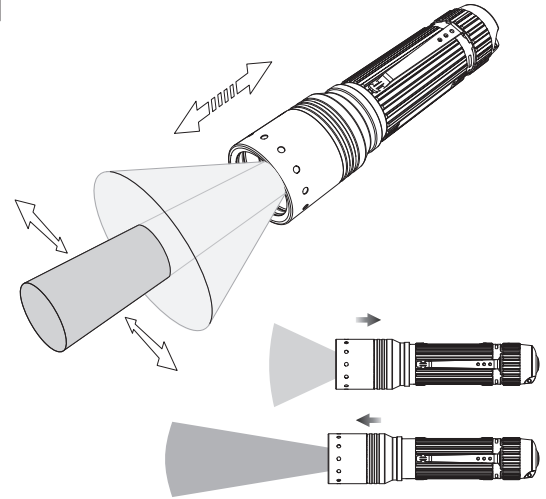


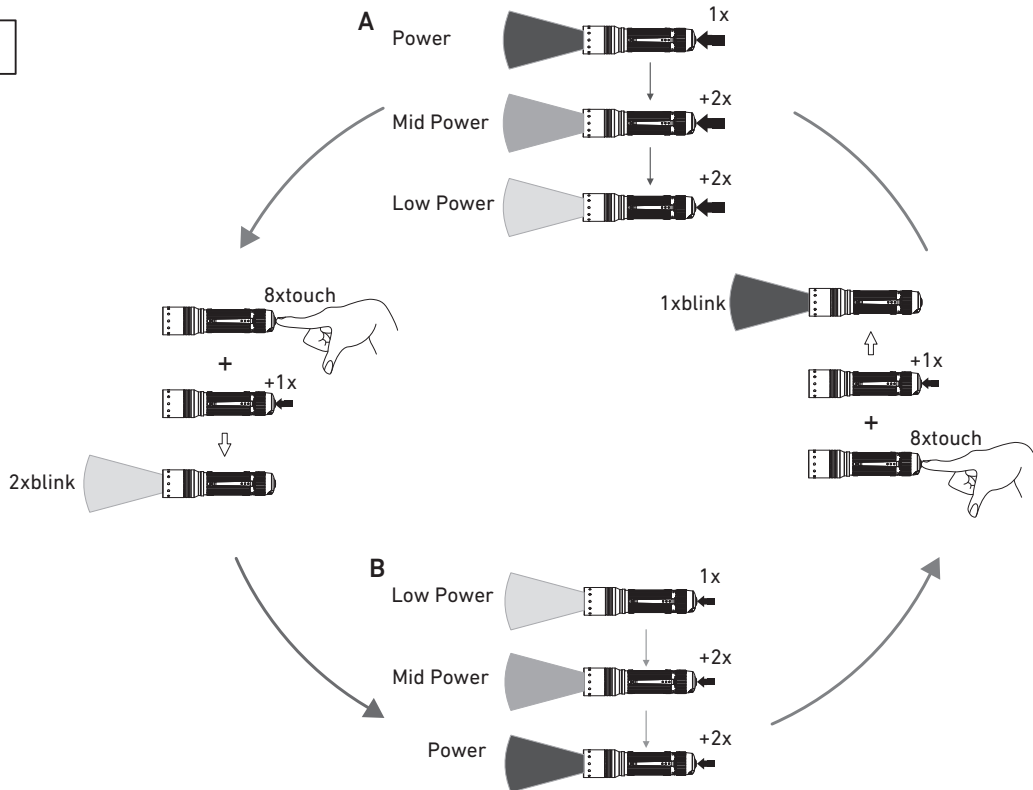
1



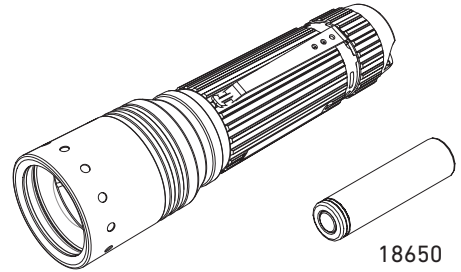
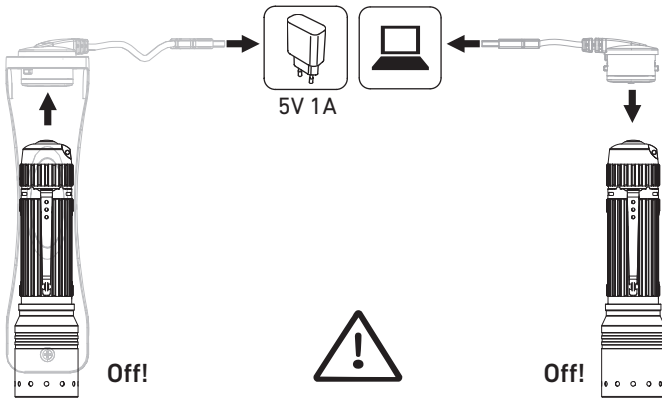
2



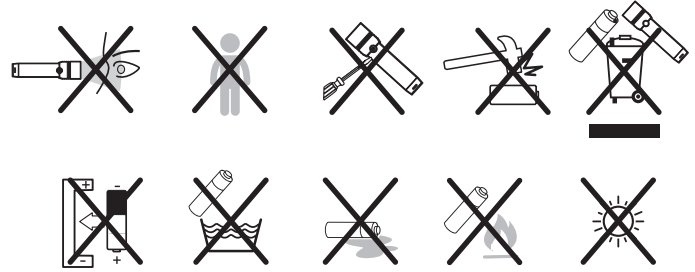
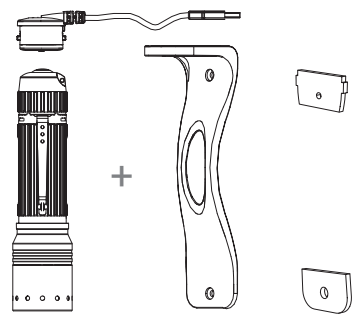
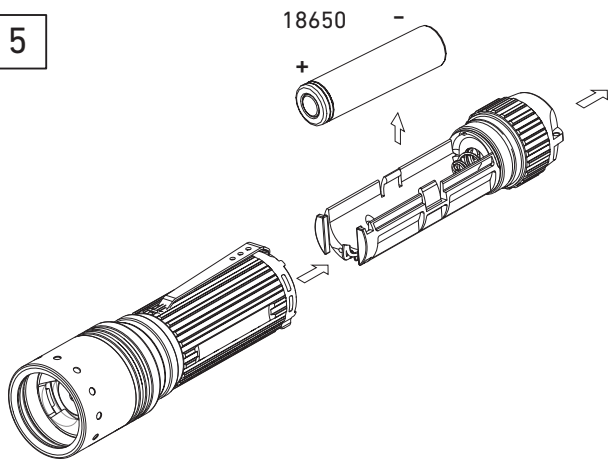
3



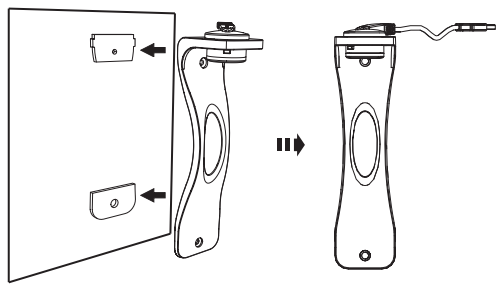
4



5



6



Ledlenser GmbH & Co. KG
 Kronenstr. 5-7 • 42699 Solingen • Germany
 Phone +49 212/5948-0 Fax +49 212/5948-200
 info@ledlenser.com



1J12A0355
 ST8R_V.01
 2019.12.12